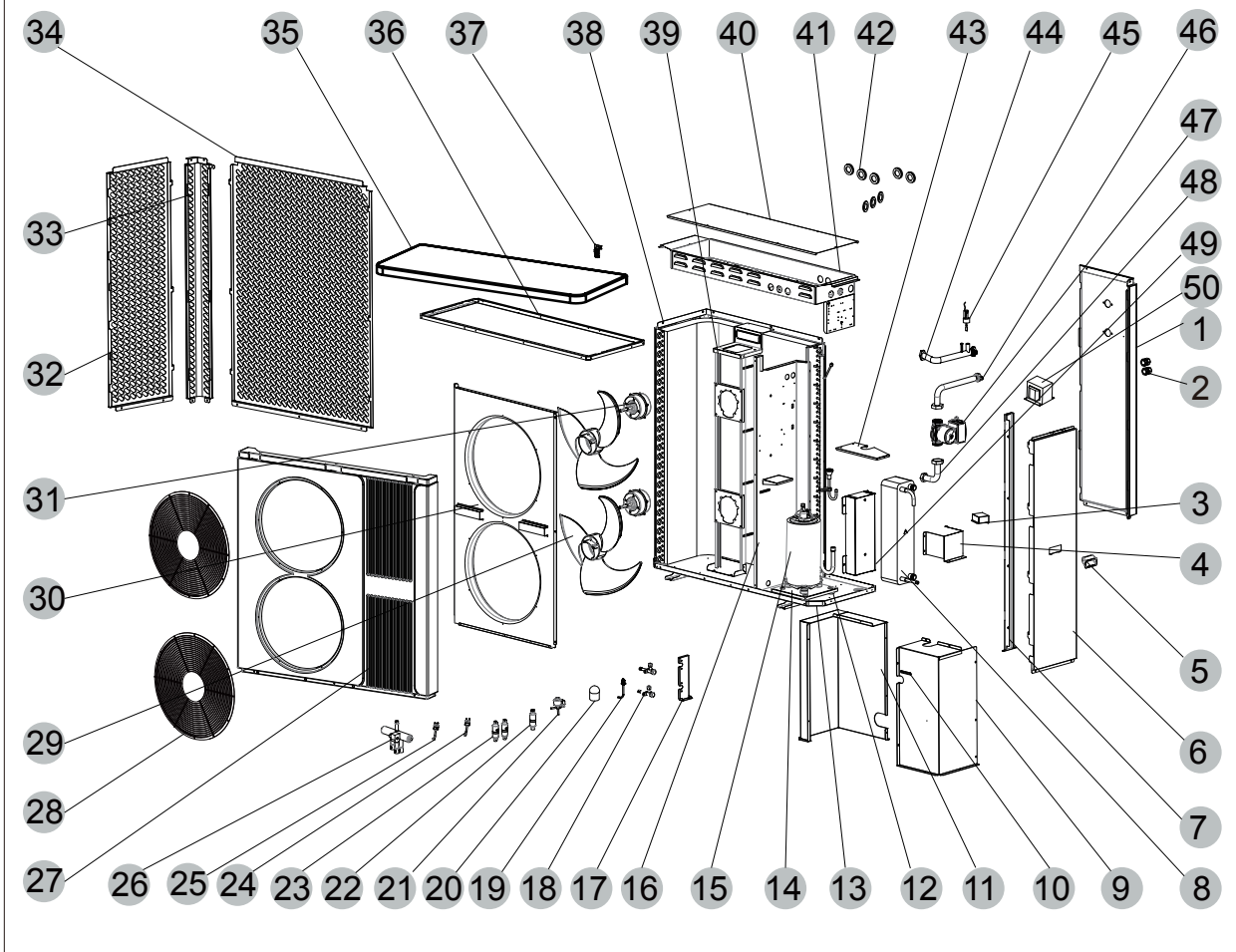




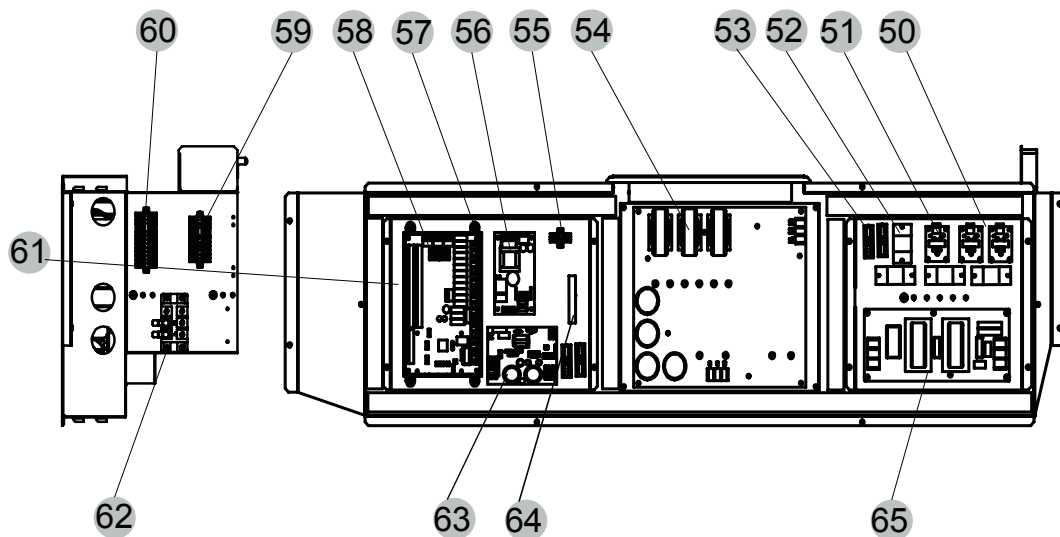
# Exploded view

Model: AWHCW060-T

**1** exploded view machine structuur



**2** exploded view elektrische besturings-structuur



No.	Name	Specifications	Qty
1	Right and Panel Assembly	Black 9005	1
2	Crossing for Wire	PG21	1
3	Water Pump Bracket	Black 9005	1
4	Retaining Plate	Black 9005	1
5	Handle	Black 9005	1
6	Right Side Panel	Black 9005	1
7	Support Plate	Black 9005	1
8	Plate Heat Exchanger	T26001-9976-C62L-EZ-J-50	1
9	Compressor Cover Front Side Panel	Black 9005	1
10	Standard Wire Clip	10×70×t0.6	1
11	Compressor Cover Rear Side Panel	Black 9005	1
12	Rubber Foot	Φ50×Φ12×30	4
13	Chassis Assembly	Black 9005	1
14	Floating Chassis Assembly	Black 9005	1
15	Rotary Compressor	WHP32900VSKTQ9JK	1
16	Median Septum Assembly	Black 9005	1
17	Bracket	Black 9005	1
18	Stopping Valve	R410A/R32	2
19	Needle Valve	FJ-3864-DG4-R134a	1
20	Refrigerant Pressure Sensor	YCQB02L01	1
21	Electronic Expansion Valve	DPF(B)3.0C-006	1
22	One-Way Valve	PKV-6X1	1
23	Filter	Φ9.7-Φ9.7(Φ19) T2M	2
24	Pressure Switch	0.10MPa/0.03MPa ±0.05	1
25	Pressure Switch	2.4MPa/3.0MPa ±0.1	1
26	4-Way Valve Assembly	DSF-20-R410A 2230	1
27	Front Panel Assembly	Black 9005	1
28	Fan Guard Assembly	Black 9005	2
29	Axial Flow Fan Blade	Φ510×156-Φ12(10)×3(SW)	2
30	Air Outlet Panel Assembly	Black 9005	1
31	Dc Fan Motor	ZWS75-A	2
32	Left Guard	Black 9005	1

No.	Name	Specifications	Qty
33	Column Assembly	Black 9005	1
34	Back Guard	Black 9005	1
35	Top Cover Assembly	Black 9005	1
36	Crossbeam Assembly	Black 9005	1
37	Snap	102×42×12	1
38	Fin Heat Exchanger	812×367×1250×Φ7×3 1.8	1
39	Motor Bracket Assembly	Black 9005	1
40	Electrical Box Cover	Black 9005	1
41	Electrical Box Assembly	Black 9005	1
42	Crossing for Wire	Φ39×Φ35/NYLON66	8
43	Water Pump Bracket Assembly	Black 9005	1
44	Outlet Pipe Assembly	Φ25-G1	1
45	Water Flow Switch	PSL-1 3/4 1500GS	1
46	Inlet Pipe Assembly	Φ28-G1.5	1
47	Vertical Water Pump	APF25-12-130 PWM1	1
48	Inlet Pipe Assembly	Φ28-G1 " -G1.5 "	1
49	Reactor	R3005L(AL)	1
50	Left Liner Plate	Black 9005	1
51	BHB21	MXL215	3
52	Electromagnetic Relay	HATF903AS30AC220 AC220V 30A	4
53	Wiring Terminal Block	RS9211(450V~ 4mm2)	4
54	Inverter Driver Module	DF05GXC-FNB-DC	1
55	2-pole Terminal	/	1
56	Switch Power Supply Module	MXL263	1
57	Base	PC 211×120×12	1
58	Controller Circuit Board Assembly	MXL254	1
59	10-pole Terminal	/	1
60	14-pole Terminal	/	1
61	Right Liner Plate	/	1
62	Wiring Terminal Block	RS9102-3(600V~ 10mm2 )(L、N、PE)	1
63	Control Assembly	/	1
64	Fuse Base	UK5-HESI	2
65	Power Supply Filter	EMC-Single Phase	1